

LEVINA

5370XSP100R05-18X62

EAN 4031582360264



BETTER MOBILITY. BETTER LIFE.



Image may differ from the original product

PERFORMANCE

Roll performance	●●●○○
Movement noise	●●●●○
Attrition	●●●●○
Corrosion resistance	●●●●○

CORE ATTRIBUTES

Product name	Levina
Type	Swivel castor
Standard	EN12530 - Devices Castors
Load capacity at 3 km/h	100 kg
Electric conductive	✓
Load capacity Static	200 kg
Temperature range (Minimum)	-10 °C
Temperature range (Maximum)	40 °C
Overall height	137 mm

WHEEL

Body material	Polyamide, electric conductive
Tread material	Polyurethane, injected, electric-conductive
Bearing	Precision ball bearing
Threadguards	With threadguard
Diameter	100 mm
Tread width	32 mm
Hardness of tread (D)	40 Shore D

HOUSING

Material fork	Polyamide
Fork shape	Slim
Swivel bearing	Two ball races
Offset	36 mm
Swivel radius	86 mm
Swivel interference	172 mm

FITTING

Fitting type	Solid stem, round
Bolt diameter	18 mm
Bolt length	62 mm



Universal Design Award



Deutscher Designer Club

LEVINA

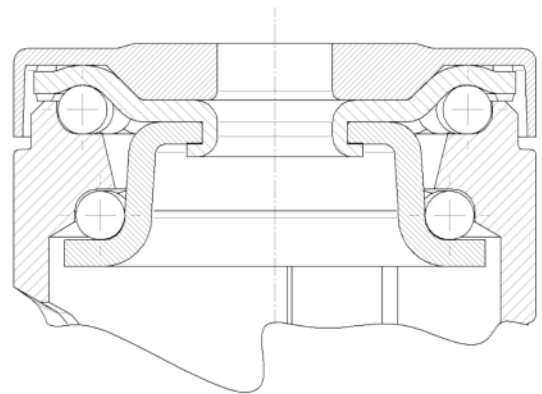
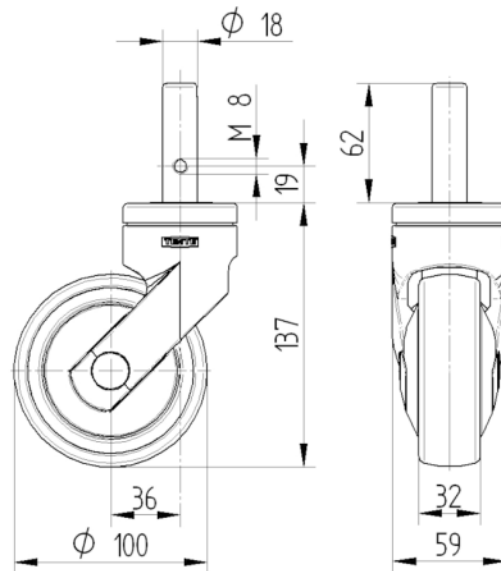
5370XSP100R05-18X62

EAN 4031582360264



BETTER MOBILITY. BETTER LIFE.

TECHNICAL DRAWINGS



Universal
Design
Award



Deutscher
Designer
Club