

PRODUCT INFORMATION

# NOVATECH

ITP 160x50-Ø20 HL60 soft cv

EAN 4031582329544



BETTER MOBILITY. BETTER LIFE.



Image may differ from the original product

### WHEEL

Tread profile	convex
Tread hardness	soft
Body material	Aluminium
Tread Material Mix	Polyurethane, casted
Bearing	Precision ball bearing
Wheel Color	Traffic grey A (RAL7042)
Threadguards	Without threadguard
Diameter	160 mm
Tread width	50 mm
Axle Hole Diameter	20 mm
Hub Length	60 mm
Body width	50 mm
Hardness of tread (A)	80 Shore A

### PERFORMANCE

Roll Performance	● ● ● ● ○
Movement Noise	● ● ● ● ○
Attrition	● ● ● ● ○
Corrosion Resistance	● ● ● ○ ○

### CORE ATTRIBUTES

Product Name	Novatech
Type	Wheel
Standard	EN12532 - Transport Equipment
Load capacity at 4 km/h	550 kg
Load capacity at 6 km/h	440 kg
Electric Conductive	No
Stainless	No
Load capacity Static	1100 kg
Temperature range (Minimum)	-10 °C
Temperature range (Maximum)	60 °C
Overall weight	1.2 kg

# NOVATECH

ITP 160x50-Ø20 HL60 soft cv

EAN 4031582329544

Order number 00835312  
Product Drawings



BETTER MOBILITY. BETTER LIFE.



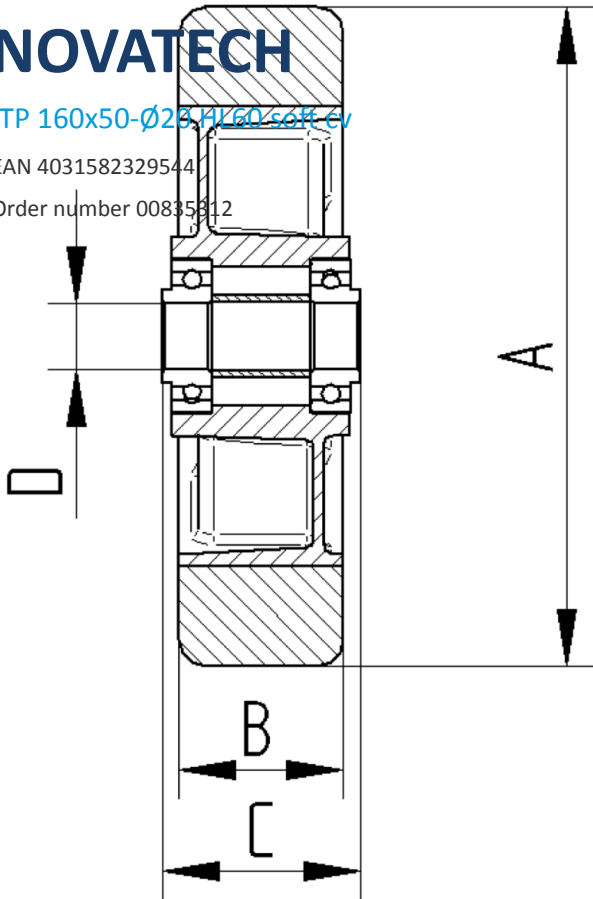
PRODUCT INFORMATION

# NOVATECH

ITP 160x50-Ø23, HV60, soft cv

EAN 4031582329544

Order number 00835312



BETTER MOBILITY. BETTER LIFE.