

LINEA LOAD

5940UAP050L51-8 load 9002

EAN 4031582421590



BETTER MOBILITY. BETTER LIFE.



Image may differ from the original product

PERFORMANCE

| | |
|----------------------|-----------|
| Roll Performance | ● ● ● ● ● |
| Movement noise | ● ● ● ● ○ |
| Attrition | ● ● ● ● ● |
| Corrosion resistance | ● ● ● ● ○ |

CORE ATTRIBUTES

| | |
|-----------------------------|---------------------------|
| Product name | Linea load |
| Type | Swivel caster |
| Standard | EN12530 - Devices Castors |
| Load capacity at 1.8 mph | 220.46 lb |
| Electric conductive | no |
| Stainless | no |
| Load capacity Static | 440.92 lb |
| Temperature range (Minimum) | 14 °F |
| Temperature range (Maximum) | 104 °F |
| Overall height | 1.99 in |
| Overall width | 1.87 in |
| Overall weight | 0.19 lb |

HOUSING

| | |
|---------------------|------------------------|
| Housing Material | Polyamide |
| Fork shape | Twin wheel housing |
| Swivel bearing | Precision ball bearing |
| Swivel radius | 1.59 in |
| Swivel interference | 3.19 in |
| Dome diameter | 0.91 in |

WHEEL

| | |
|-----------------------|------------------------|
| Body material | Polyamide |
| Tread material | Polyurethane, injected |
| Bearing | Precision ball bearing |
| Threadguards | With threadguard |
| Diameter | 1.97 in |
| Tread width | 0.51 in |
| Hardness of tread (A) | 92 Shore A |

FITTING

| | |
|--------------------|----------------------------|
| Fitting type | Blind hole for B10 fitting |
| Bolt hole diameter | 0.31 in |



Deutscher
Designer
Club



Interzum
Award



product
design
award

IF Design
Award

LINEA LOAD

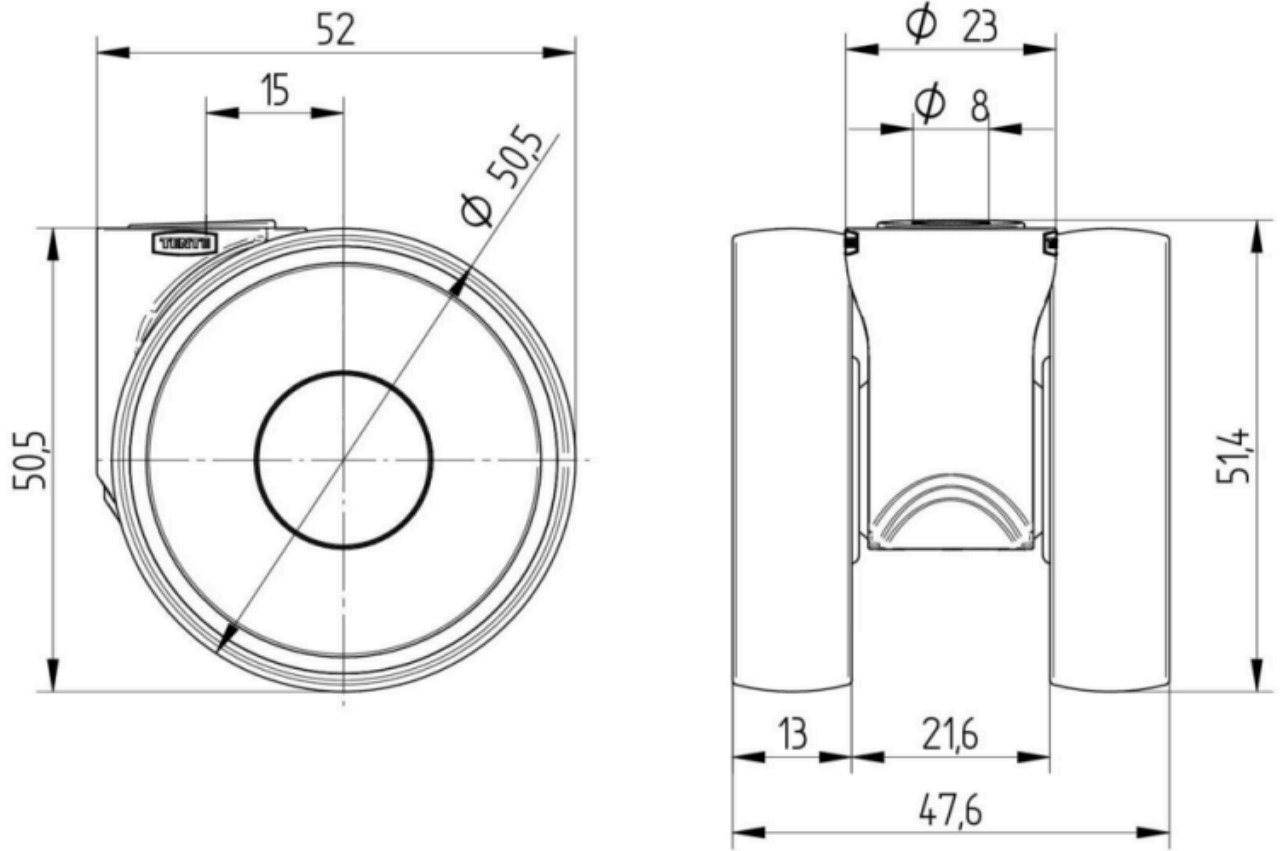
5940UAP050L51-8 load 9002

EAN 4031582421590



BETTER MOBILITY. BETTER LIFE.

Product Drawings



Deutscher Designer Club



Interzum Award



IF Design Award

product design award