

# LEVINA

5371PJP100R05-18X62

EAN 4031582358711



BETTER MOBILITY. BETTER LIFE.



Image may differ from the original product

## PERFORMANCE

Roll performance	● ● ● ○ ○
Movement noise	● ● ● ● ○
Attrition	● ● ● ○ ○
Corrosion resistance	● ● ● ● ○

## CORE ATTRIBUTES

Product name	Levina
Type	Swivel castor with directional lock
Standard	EN12530 - Devices Castors
Load capacity at 1.8 mph	220.46 lb
Load capacity Static	440.92 lb
Temperature range (Minimum)	14 °F
Temperature range (Maximum)	104 °F
Overall height	5.39 in
Overall weight	1.32 lb

## WHEEL

Body material	Polypropylene
Tread material	Thermoplastic rubber
Bearing	Precision ball bearing
Threadguards	With threadguard
Diameter	3.94 in
Tread width	1.26 in
Hardness of tread (A)	87 Shore A

## HOUSING

Material	Polyamide
Fork shape	Slim
Swivel bearing	Two ball races
Offset	1.42 in
Swivel radius	3.86 in
Swivel interference	7.72 in

## FITTING

Fitting type	Solid stem, round
Bolt diameter	0.71 in
Bolt length	2.44 in



Universal Design Award



Deutscher Designer Club

# LEVINA

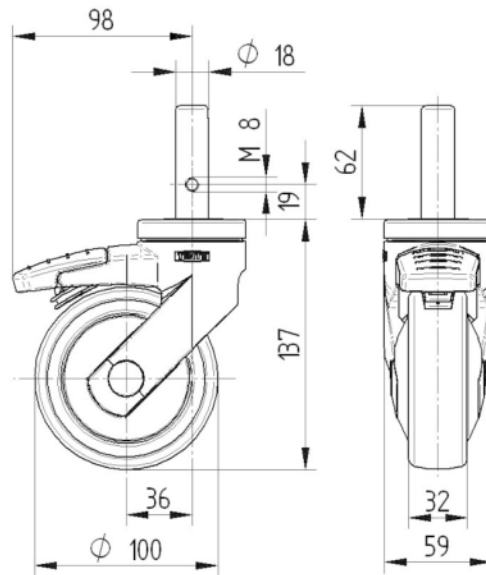
5371PJP100R05-18X62

EAN 4031582358711



BETTER MOBILITY. BETTER LIFE.

## TECHNICAL DRAWINGS



Universal  
Design  
Award



Deutscher  
Designer  
Club