

ALPHA

3470ITP100P62 80SH TFR

EAN 4031582394009



BETTER MOBILITY. BETTER LIFE.



Image may differ from the original product

PERFORMANCE

Roll performance	● ● ● ○ ○
Movement noise	● ● ● ○ ○
Attrition	● ● ● ● ○
Corrosion resistance	● ● ● ○ ○

CORE ATTRIBUTES

Product name	Alpha
Type	Swivel castor
Standard	EN12532 - Transport Equipment
Load capacity at 2.5 mph	551.16 lb
Load capacity Static	1102.31 lb
Temperature range (Minimum)	14 °F
Temperature range (Maximum)	140 °F
Overall height	5.04 in

WHEEL

Body material	Aluminum
Tread material	Polyurethane, casted
Bearing	Precision ball bearing
Axle	Screwed with nut
Threadguards	Without threadguard
Diameter	3.94 in
Tread width	1.57 in
Hardness of tread (A)	80 Shore A

HOUSING

Material	Steel sheet, heavy
Fork shape	Broad
Swivel bearing	Two ball races
Offset	1.61 in
Swivel radius	3.54 in
Swivel interference	7.09 in

FITTING

Fitting type	Rectangular plate
Plate length	4.13 in
Plate width	3.15 in
Plate hole length (Minimum)	3.03 in
Plate hole length (Maximum)	3.15 in
Plate hole width (Maximum)	2.36 in
Plate hole diameter	0.35 in

ALPHA

3470ITP100P62 80SH TFR

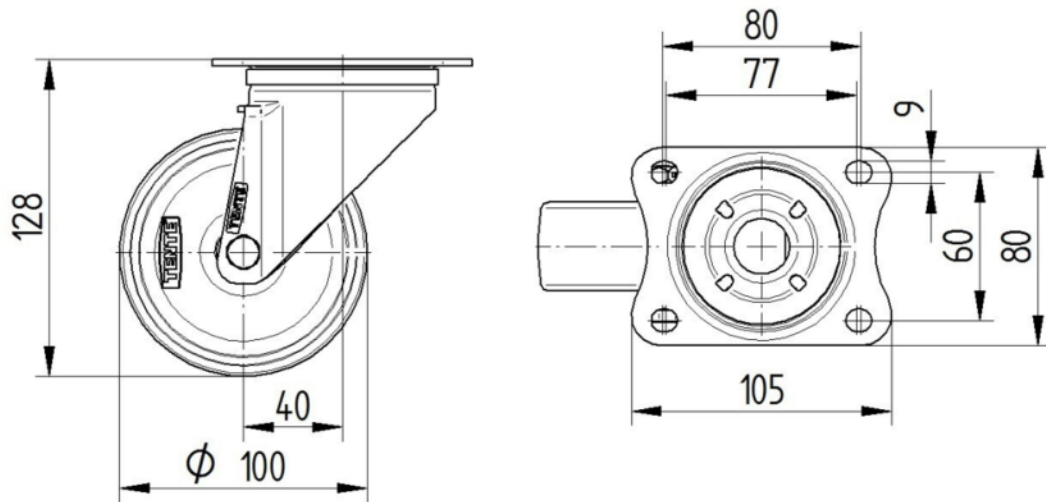
EAN 4031582394009



BETTER MOBILITY. BETTER LIFE.

TECHNICAL DRAWINGS

3470U00100P62-neu



Platte 3470-080P62-105x80

