

# LINEA CLINIC

5946UAP150R36-34XS S30 D 9002

EAN 4031582348378  
Order number 00034521



BETTER MOBILITY. BETTER LIFE.



Image may differ from the original product

## PERFORMANCE

Roll performance	● ● ● ● ●
Movement noise	● ● ● ● ○
Attrition	● ● ● ● ○
Corrosion resistance	● ● ● ○ ○

## CORE ATTRIBUTES

Product name	Linea clinic
Type	Swivel castor with central , total lock
Standard	EN12531 - Hospital Bed Castors
Load capacity at 1.8 mph	330.69 lb
Load capacity at 2.5 mph	330.69 lb
Load capacity Static	992.08 lb
Temperature range (Minimum)	14 °F
Temperature range (Maximum)	104 °F
Overall height	6.1 in
Overall width	2.8 in
Overall weight	2.27 lb
Certification	Tested and monitored by TÜV Süd

## WHEEL

Body material	Polyamide
Tread material	Polyurethane, injected
Bearing	Precision ball bearing
Wheel color	Gray white (RAL9002)
Threadguards	With threadguard
Diameter	5.91 in
Tread width	0.59 in
Body width	0.59 in
Hardness of tread (A)	92 Shore A
Hardness of tread (D)	42 Shore D

## HOUSING

Material	Polyamide
Fork shape	Twin wheel housing
Swivel bearing	Precision ball bearing
Color	Gray white (RAL9002)
Offset	1.87 in
Swivel radius	5 in
Swivel interference	10 in
Dome diameter	1.79 in

## FITTING

Fitting type	Stem with cam hole for profile bars, short version
Bolt diameter	1.26 in
Bolt length	1.65 in



# LINEA CLINIC

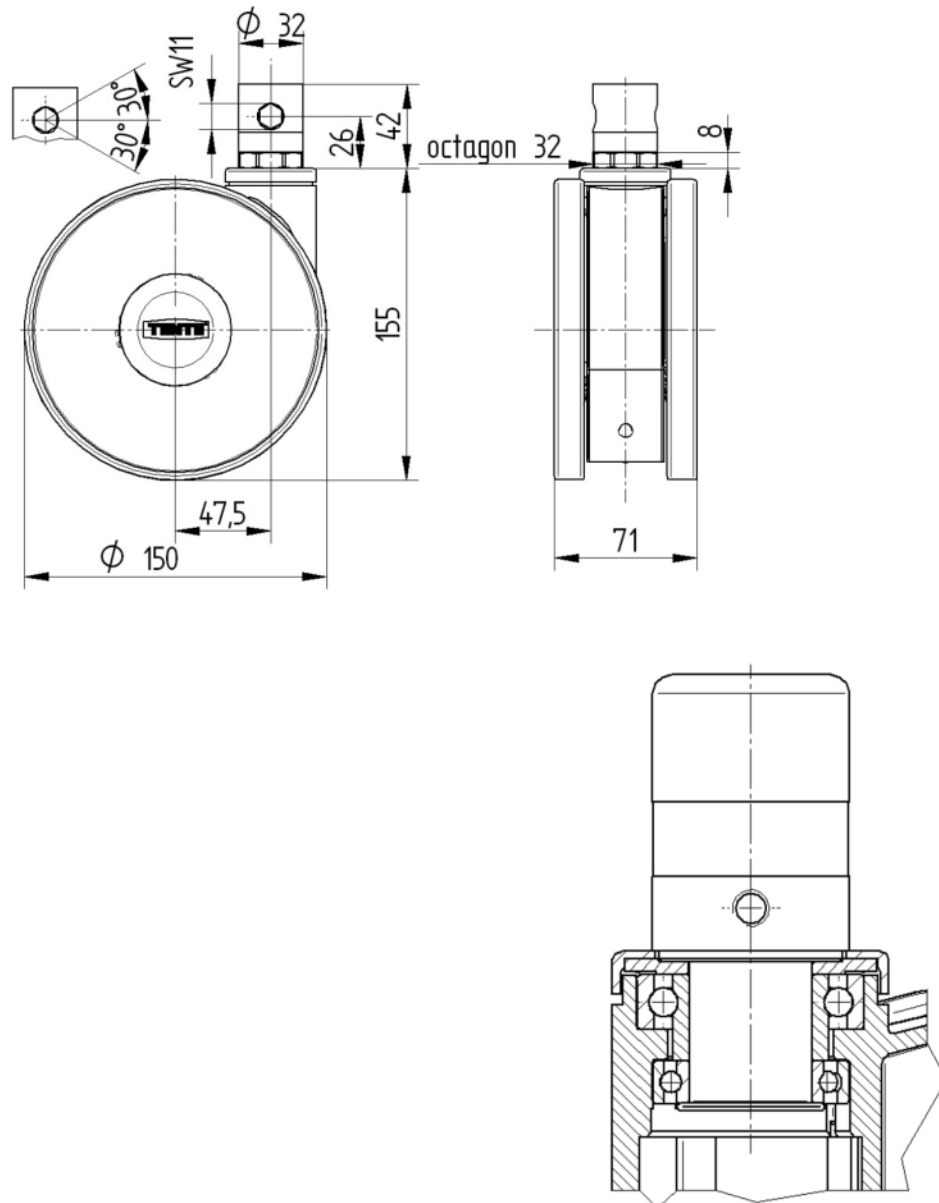
5946UAP150R36-34XS S30 D 9002

EAN 4031582348378  
Order number 00034521



BETTER MOBILITY. BETTER LIFE.

## TECHNICAL DRAWINGS



Deutscher  
Designer  
Club



Interzum  
Award



IF  
Design  
Award