

DURATECH

MOP 125x50-Ø20

EAN 4031582320015



BETTER MOBILITY. BETTER LIFE.



Image may differ from the original product

WHEEL

Body material	Polyamide, super heavy
Tread Material Mix	Identical with wheel body
Bearing	Precision ball bearing
Wheel Color	Natural white
Threadguards	Without threadguard
Diameter	125 mm
Tread width	50 mm
Axle Hole Diameter	20 mm
Hub Length	60 mm
Body width	50 mm
Hardness of tread (D)	75 Shore D
Bearing type	6304

PERFORMANCE

Roll Performance	● ● ● ● ●
Movement Noise	● ● ○ ○ ○
Attrition	● ● ● ● ●
Corrosion Resistance	● ● ● ○ ○

CORE ATTRIBUTES

Product Name	Duratech
Type	Wheel
Standard	EN12533 - Heavy Duty Castors
Load capacity at 4 km/h	2040 kg
Load capacity at 6 km/h	1700 kg
Electric Conductive	No
Stainless	No
Load capacity Static	3400 kg
Temperature range (Minimum)	-40 °C
Temperature range (Maximum)	80 °C
Overall weight	0.97 kg

DURATECH

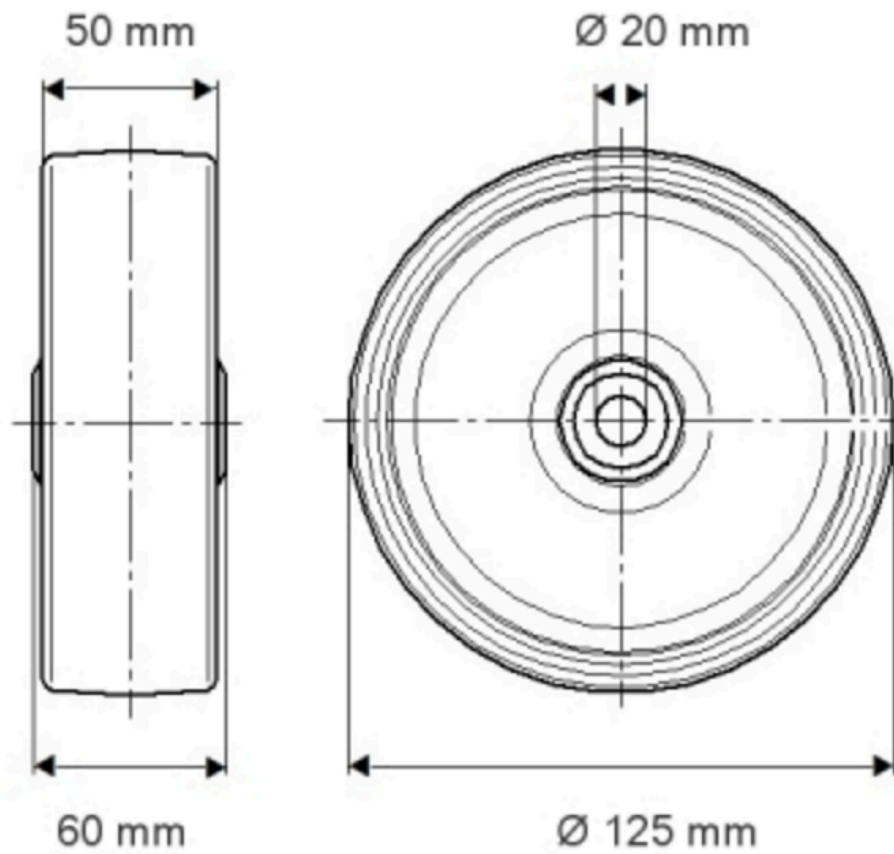
MOP 125x50-Ø20

EAN 4031582320015

Order number 00801259
Product Drawings



BETTER MOBILITY. BETTER LIFE.



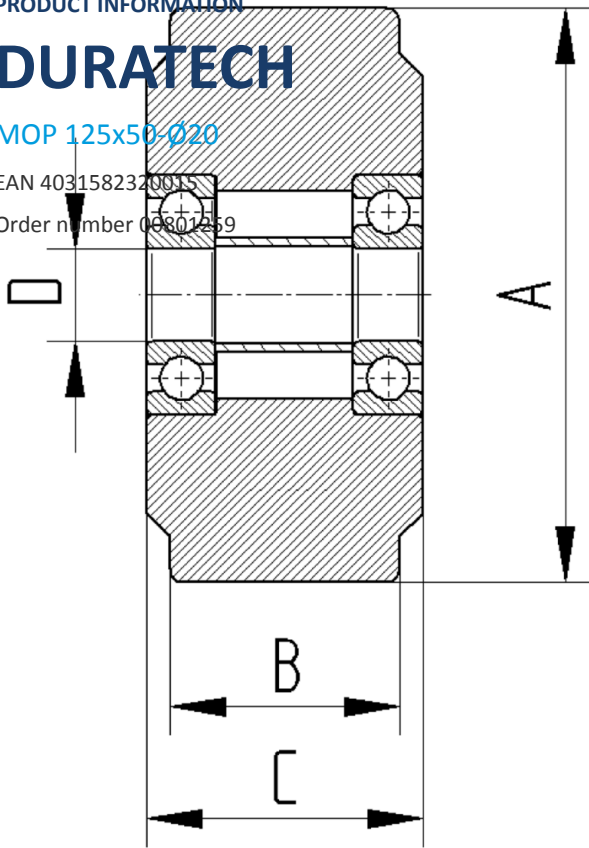
PRODUCT INFORMATION

DURATECH

MOP 125x50-Ø20

EAN 4031582320015

Order number 00801259



BETTER MOBILITY. BETTER LIFE.