

LEVINA

5370PJP100R05-18X62 M8/19 7001

EAN 4031582347548
Order number 00037001



BETTER MOBILITY. BETTER LIFE.



Image may differ from the original product

PERFORMANCE

Roll performance	● ● ● ○ ○
Movement noise	● ● ● ● ●
Attrition	● ● ● ○ ○
Corrosion resistance	● ● ● ● ●

CORE ATTRIBUTES

Product name	Levina
Type	Swivel castor
Standard	EN12530 - Devices Castors
Load capacity at 1.8 mph	220.46 lb
Load capacity Static	440.92 lb
Temperature range (Minimum)	14 °F
Temperature range (Maximum)	104 °F
Overall height	5.39 in
Overall width	2.32 in
Overall weight	1.23 lb

WHEEL

Body material	Polypropylene
Tread material	Thermoplastic rubber
Bearing	Precision ball bearing
Wheel color	Silver gray (RAL7001)
Threadguards	With threadguard
Diameter	3.94 in
Tread width	1.26 in
Body width	1.26 in
Hardness of tread (A)	87 Shore A

HOUSING

Material	Polyamide
Fork shape	Slim
Swivel bearing	Two ball races
Color	Silver gray (RAL7001)
Offset	1.42 in
Swivel radius	3.39 in
Swivel interference	6.77 in
Dome diameter	2.32 in

FITTING

Fitting type	Solid stem, round
Bolt diameter	0.71 in
Bolt length	2.44 in
Bolt thread position	0.75 in
Bolt mounting holes quantity	2



Universal
Design
Award



Deutscher
Designer
Club

LEVINA

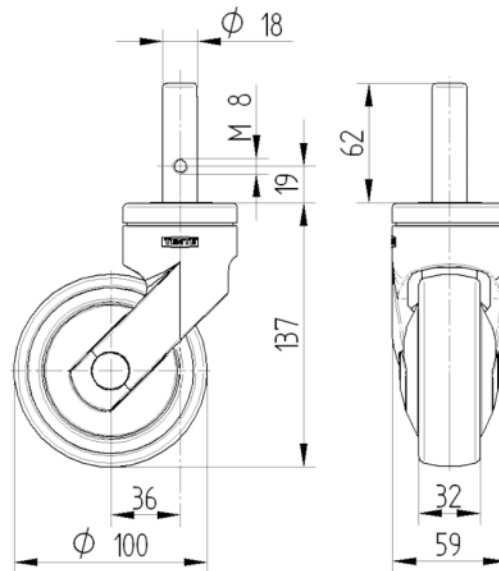
5370PJP100R05-18X62 M8/19 7001

EAN 4031582347548
Order number 00037001



BETTER MOBILITY. BETTER LIFE.

TECHNICAL DRAWINGS



Universal
Design
Award



Deutscher
Designer
Club