

LINEA

594CXSP125R05-22 RAL9002

EAN 4031582378559



BETTER MOBILITY. BETTER LIFE.



Image may differ from the original product

PERFORMANCE

Roll performance	● ● ● ● ●
Movement noise	● ● ● ○ ○
Attrition	● ● ● ● ○
Corrosion resistance	● ● ● ● ○

CORE ATTRIBUTES

Product name	Linea
Type	Swivel castor with combined lock
Standard	EN12530 - Devices Castors
Load capacity at 3 km/h	130 kg
Electric conductive	✓
Load capacity Static	260 kg
Temperature range (Minimum)	-20 °C
Temperature range (Maximum)	60 °C
Overall height	145 mm
Overall width	82 mm
Overall weight	1.195 kg
Certification	Tested and monitored by TÜV Süd

WHEEL

Body material	Polyamide, electric conductive
Tread material	Polyurethane, injected, electric-conductive
Bearing	Precision ball bearing
Threadguards	With threadguard
Diameter	125 mm
Tread width	20 mm
Hardness of tread (A)	92 Shore A

HOUSING

Material fork	Polyamide
Fork shape	Twin wheel housing
Swivel bearing	Precision ball bearing
Colour	Grey white (RAL9002)
Offset	40 mm
Swivel radius	129 mm
Swivel interference	258 mm
Dome diameter	52 mm

FITTING

Fitting type	Solid stem, round
Bolt diameter	22 mm
Bolt length	40 mm



Deutscher Designer Club



Interzum Award



IF Design Award

LINEA

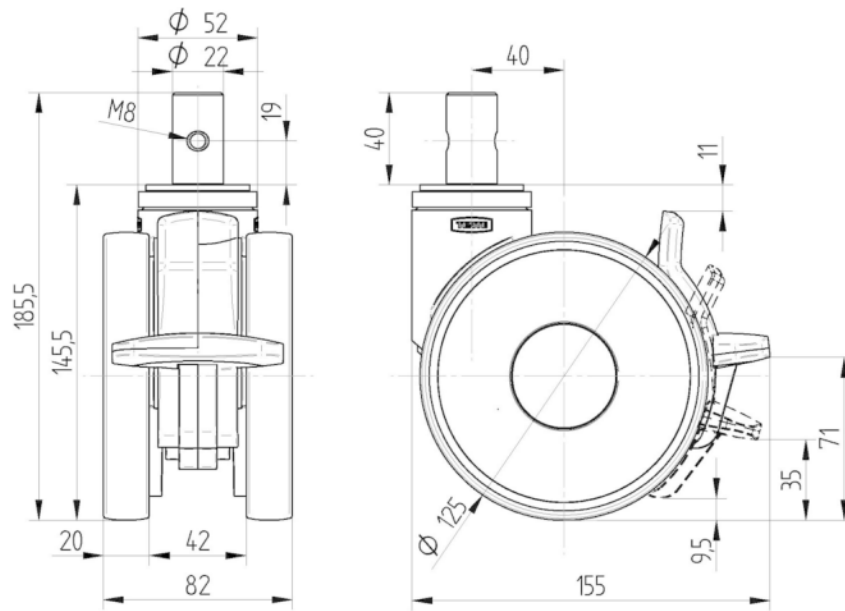
594CXSP125R05-22 RAL9002

EAN 4031582378559



BETTER MOBILITY. BETTER LIFE.

TECHNICAL DRAWINGS



Deutscher
Designer
Club



Interzum
Award



IF
Design
Award