

PRODUCT INFORMATION

NOVATECH

FTP200x75-Ø25 HL75

EAN 4031582428827



BETTER MOBILITY. BETTER LIFE.



Image may differ from the original product

WHEEL

| | |
|-----------------------|------------------------|
| Body material | Cast iron |
| Tread Material Mix | Polyurethane, casted |
| Bearing | Precision ball bearing |
| Threadguards | With threadguard |
| Diameter | 200 mm |
| Tread width | 75 mm |
| Axle Hole Diameter | 25 mm |
| Hub Length | 75 mm |
| Hardness of tread (A) | 92 Shore A |

PERFORMANCE

| | |
|----------------------|-------|
| Roll Performance | ●●●●○ |
| Movement Noise | ●●●○○ |
| Attrition | ●●●●○ |
| Corrosion Resistance | ●●●○○ |

CORE ATTRIBUTES

| | |
|-----------------------------|----------|
| Product Name | Novatech |
| Type | Wheel |
| Electric Conductive | No |
| Stainless | No |
| Temperature range (Minimum) | -20 °C |
| Temperature range (Maximum) | 60 °C |
| Overall weight | 7.99 kg |

NOVATECH

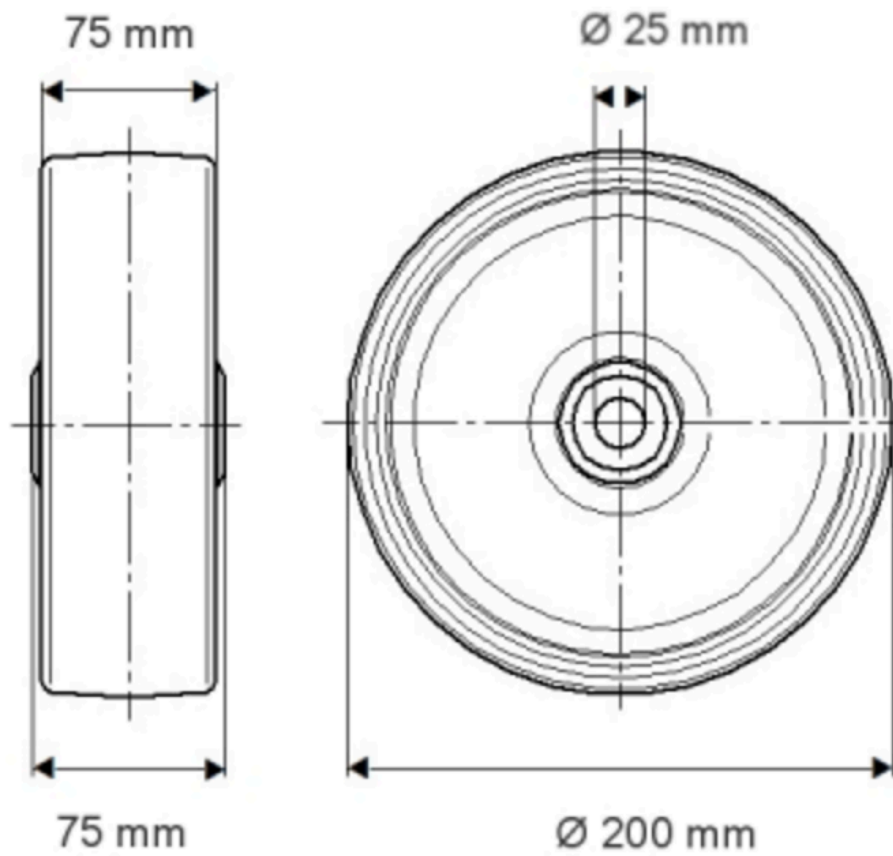
FTP200x75-Ø25 HL75

EAN 4031582428827



BETTER MOBILITY. BETTER LIFE.

Product Drawings

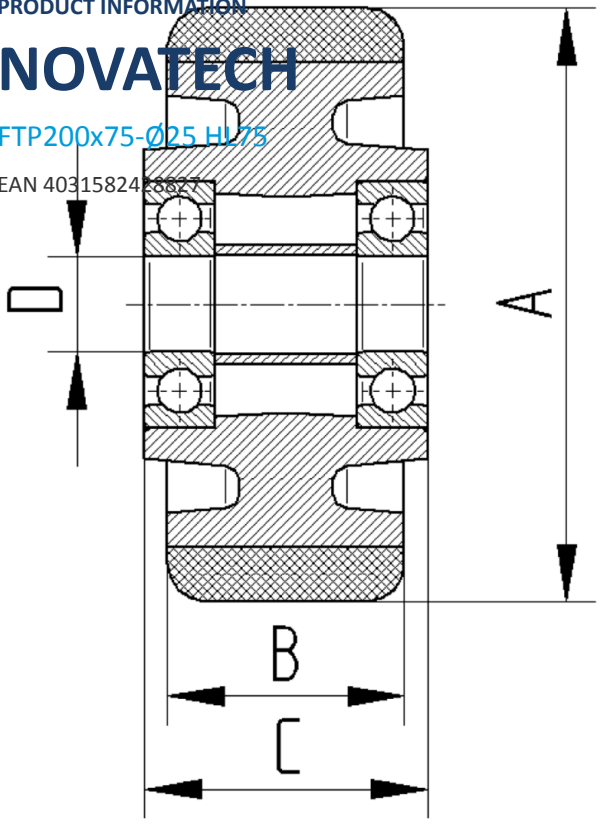


PRODUCT INFORMATION

NOVATECH

FTP200x75-Ø25 H175

EAN 4031582488527



BETTER MOBILITY. BETTER LIFE.