

ALPHA

3470DIJ125P62

EAN 4031582303360



BETTER MOBILITY. BETTER LIFE.



Image may differ from the original product

PERFORMANCE

Roll Performance	● ● ● ● ○
Movement Noise	● ● ● ● ○
Attrition	● ● ● ● ○
Corrosion Resistance	● ● ● ● ○

CORE ATTRIBUTES

Product Name	Alpha
Type	Swivel castor
Standard	EN12532 - Transport Equipment
Load capacity at 4 km/h	100 kg
Electric Conductive	No
Stainless	No
Load capacity Static	200 kg
Temperature range (Minimum)	-20 °C
Temperature range (Maximum)	85 °C
Overall Height	155 mm
Overall width	75 mm
Overall weight	1.18 kg

HOUSING

Housing Material	Steel sheet, heavy
Fork shape	Broad
Swivel Bearing	Two ball races
Housing Color	Blue passivated
Offset	40 mm
Swivel radius	102.5 mm
Swivel interference	205 mm
Dome diameter	75 mm

WHEEL

Body material	Sheet Steel
Tread Material Mix	Solid rubber, non-marking
Bearing	Roller bearing
Axle	Screwed with nut
Wheel Color	Blue passivated
Threadguards	With threadguard
Diameter	125 mm
Tread width	37 mm
Body width	37 mm
Hardness of tread (A)	80 Shore A

FITTING

Fitting type	Small rectangular plate
Plate length	105 mm
Plate width	80 mm
Plate hole length (Minimum)	77 mm
Plate hole length (Maximum)	60 mm
Plate hole width (Minimum)	77 mm
Plate hole width (Maximum)	80 mm
Plate hole diameter	9 mm

ALPHA

3470DIJ125P62

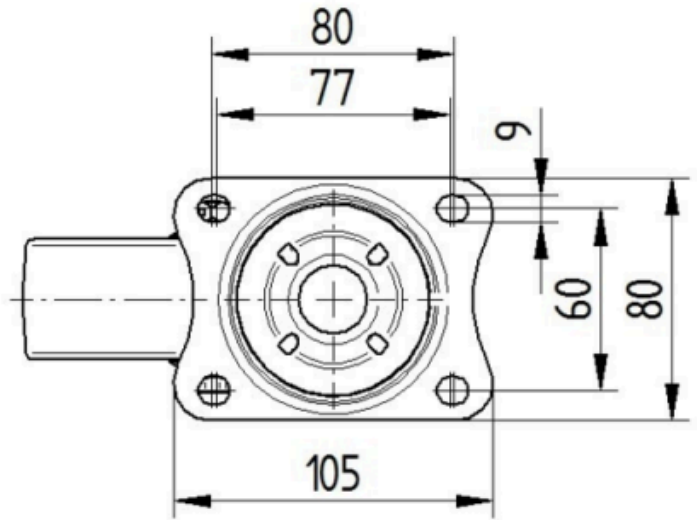
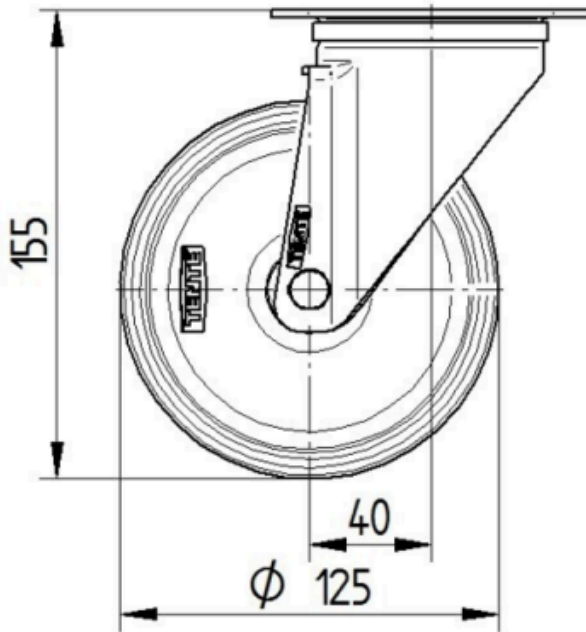
EAN 4031582303360

Order number 00001128
Product Drawings



BETTER MOBILITY. BETTER LIFE.

3470U00125P62-neu



Platte 3470-080P62-105x80

