

# ICS

5328PJP125P52

EAN 4031582384574



Image may differ from the original product

## PERFORMANCE

Roll performance	● ● ● ○ ○
Movement noise	● ● ● ● ○
Attrition	● ● ● ○ ○
Corrosion resistance	● ● ● ● ○

## CORE ATTRIBUTES

Product name	ICS
Type	Fixed castor
Standard	EN12530 - Devices Castors
Load capacity at 3 km/h	100 kg
Load capacity Static	200 kg
Temperature range (Minimum)	-10 °C
Temperature range (Maximum)	40 °C
Overall height	166 mm

## WHEEL

Body material	Polypropylene
Tread material	Thermoplastic rubber
Bearing	Precision ball bearing
Threadguards	Integrated threadguard
Diameter	125 mm
Tread width	32 mm
Hardness of tread (A)	87 Shore A

## HOUSING

Material fork	Polyamide
Fork shape	Slim

## FITTING

Fitting type	Rectangular plate, US-bolt hole spacing
Plate length	95 mm
Plate width	70 mm
Plate hole length (Minimum)	44.45 mm
Plate hole length (Maximum)	52 mm
Plate hole width (Minimum)	72 mm
Plate hole width (Maximum)	76 mm
Plate hole diameter	11 mm



IF  
Design  
Award

# ICS

5328PJP125P52

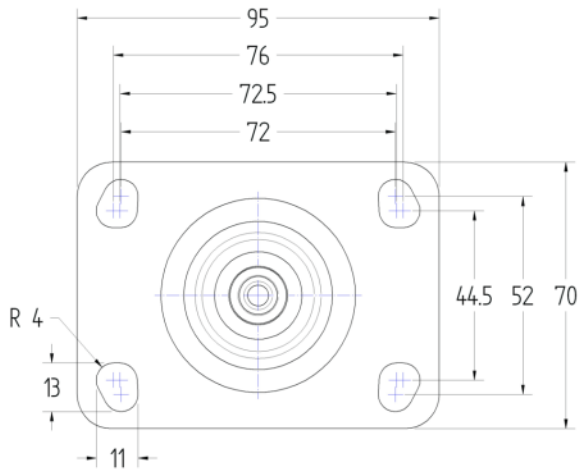
EAN 4031582384574



BETTER MOBILITY. BETTER LIFE.

## TECHNICAL DRAWINGS

---



IF  
Design  
Award