

ALPHA

3478UER125P63

EAN 4031582306897



BETTER MOBILITY. BETTER LIFE.



Image may differ from the original product

PERFORMANCE

Roll performance	● ● ● ○ ○
Movement noise	● ● ● ● ●
Attrition	● ● ● ○ ○
Corrosion resistance	● ● ● ○ ○

CORE ATTRIBUTES

Product name	Alpha
Type	Fixed castor
Standard	EN12532 - Transport Equipment
Load capacity at 4 km/h	250 kg
Load capacity Static	500 kg
Temperature range (Minimum)	-20 °C
Temperature range (Maximum)	80 °C
Overall height	161 mm
Overall weight	1.253 kg

WHEEL

Body material	Polyamide
Tread hardness	soft
Tread material	Elastic tire, black, vulcanized
Bearing	Roller bearing
Axle	Screwed with nut
Threadguards	Without threadguard
Diameter	125 mm
Tread width	40 mm
Hardness of tread (A)	64 Shore A

HOUSING

Material fork	Steel sheet, heavy
Fork shape	Broad

FITTING

Fitting type	Medium rectangular plate
Plate length	137 mm
Plate width	115 mm
Plate hole length (Maximum)	105 mm
Plate hole width (Minimum)	75 mm
Plate hole width (Maximum)	80 mm
Plate hole diameter	11 mm

ALPHA

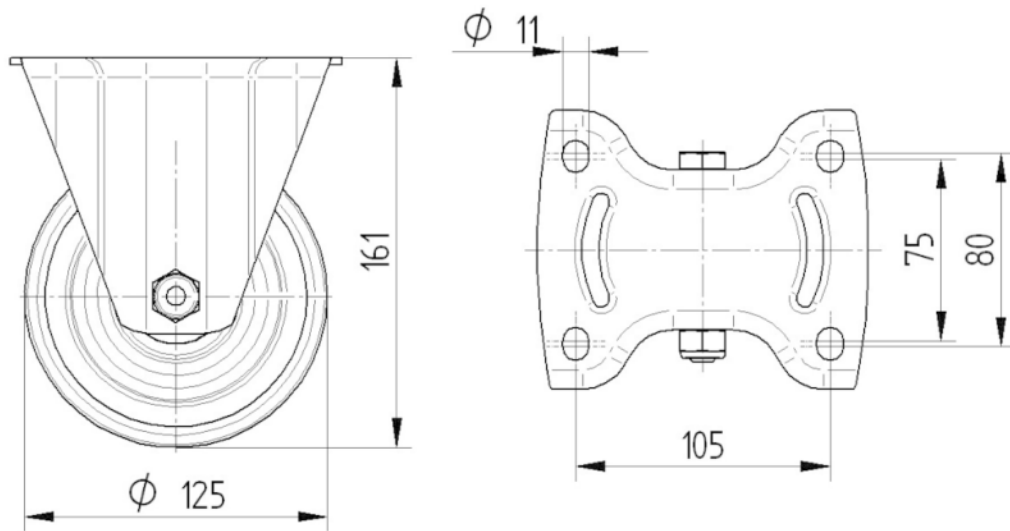
3478UER125P63

EAN 4031582306897



BETTER MOBILITY. BETTER LIFE.

TECHNICAL DRAWINGS



8478UAD125 P63

