

PRODUCT INFORMATION

# NOVATECH

ITP125x50-Ø20-SH80A flat

EAN 4031582428612



BETTER MOBILITY. BETTER LIFE.



Image may differ from the original product

### WHEEL

Tread profile	flat
Body material	Aluminium
Tread Material Mix	Polyurethane, casted
Bearing	Precision ball bearing
Threadguards	Without threadguard
Diameter	125 mm
Tread width	50 mm
Axle Hole Diameter	20 mm
Hub Length	60 mm
Hardness of tread (A)	80 Shore A

### PERFORMANCE

Roll Performance	● ● ● ● ○ ○
Movement Noise	● ● ● ● ○ ○
Attrition	● ● ● ● ● ○
Corrosion Resistance	● ● ● ● ○ ○

### CORE ATTRIBUTES

Product Name	Novatech
Type	Wheel
Standard	EN12532 - Transport Equipment
Load capacity at 4 km/h	400 kg
Load capacity at 6 km/h	320 kg
Electric Conductive	No
Stainless	No
Load capacity Static	800 kg
Temperature range (Minimum)	-10 °C
Temperature range (Maximum)	60 °C
Overall weight	0.8 kg

# NOVATECH

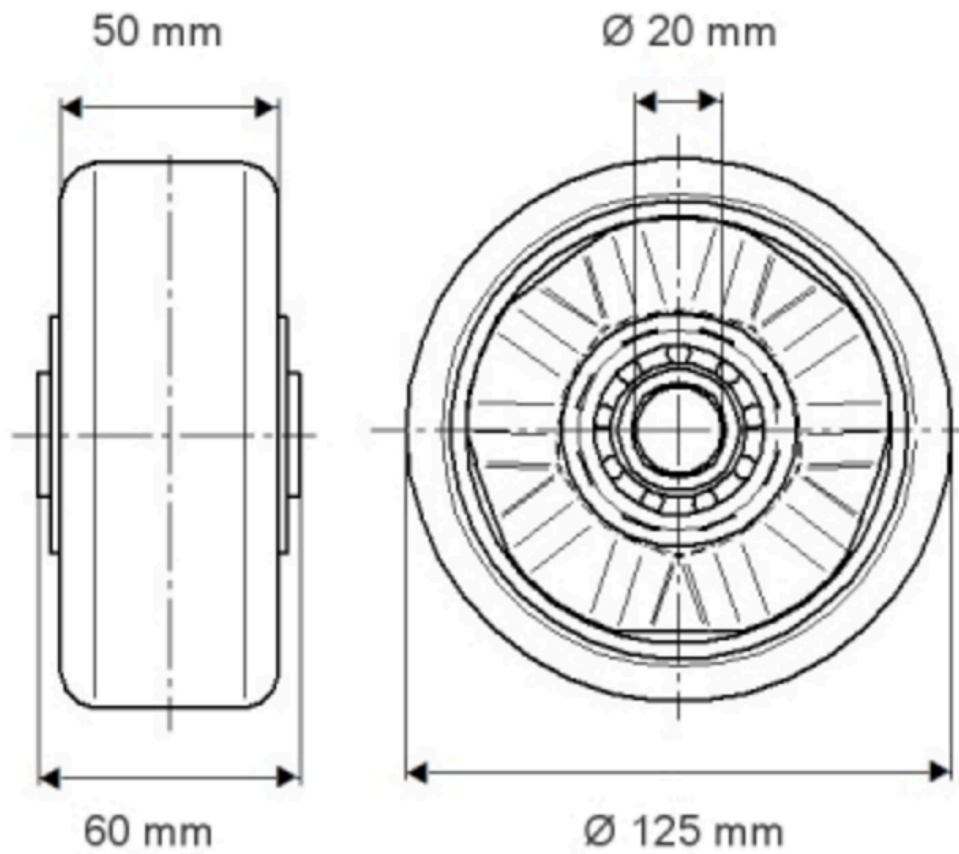
ITP125x50-Ø20-SH80A flat

EAN 4031582428612



BETTER MOBILITY. BETTER LIFE.

## Product Drawings

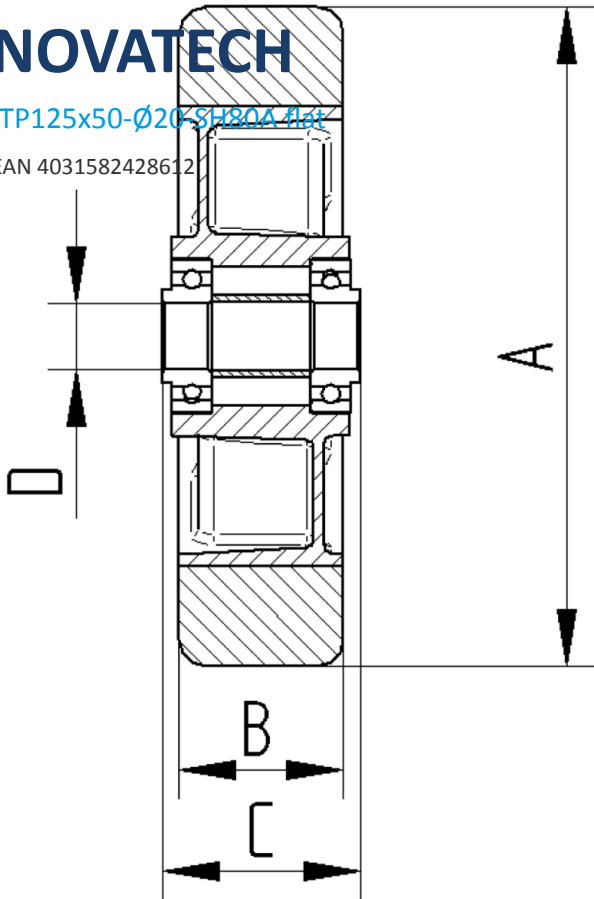


PRODUCT INFORMATION

# NOVATECH

ITP125x50-Ø20-SH80A flat

EAN 4031582428612



BETTER MOBILITY. BETTER LIFE.